

SBAL Series

The SBAL LED area light is designed as a replacement for street light and vapor lamp. It has a low-profile design made of one piece die-cast aluminum housing with UV resistant polycarbonate optical lenses. This LED area light delivers high lumens with efficacy up to 130 lumens per watt and long life for a more energy efficient and low maintenance lighting solution. IP66/IK09 design for harsh environments from -22 to 122 F. This LED area light is designed to slip-fit, round pole, square pole and trunnion (bracket) mount, the versatile mounting configurations offer simple installation. The type III, IV, V light distribution makes it ideal for general outdoor and commercial area lighting in parking lots, office-complexes, campuses, walkways, stadiums, squares and billboards, etc.



FEATURES:

- ETL/cETL listed for wet locations, IP66 rated
- DLC 4.4 premium certified
- 140 lumens per watt
- 100-277VAC universal voltage
- 0-10V dimming optional
- Photocontrol sensor for dusk to dawn operation
- 6KV surge protector

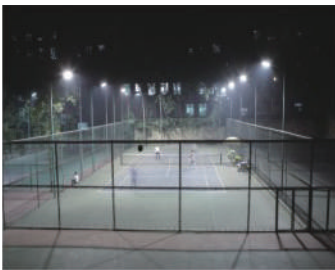
SBAL Series

APPLICATIONS

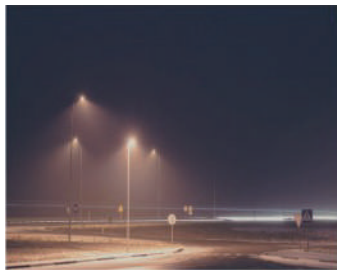
- Wet areas
- Parking lots
- Ofce complexes
- Campuses
- Walkways
- Stadiums
- Squares
- Billboards
- Urban road
- Highway
- Industrial area
- Sidewalk
- Garden
- School
- Residential area
- Commercia area

CONSTRUCTION

- One piece die-cast aluminum housing
- UV resistant polycarbonate optical lens
- High lumens with efcacy up to 140 lumens per watt
- Designed to slip-fit
- Round pole, square pole and trunion (bracket) mount
- The versatile mounting configurations offer simple installation



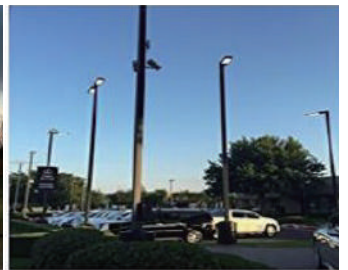
Stadiums



Highway



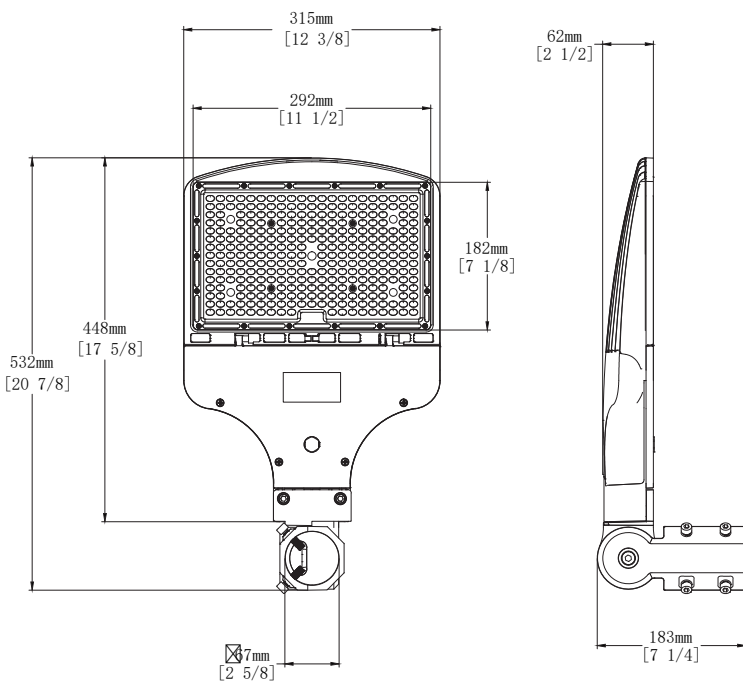
Urban road



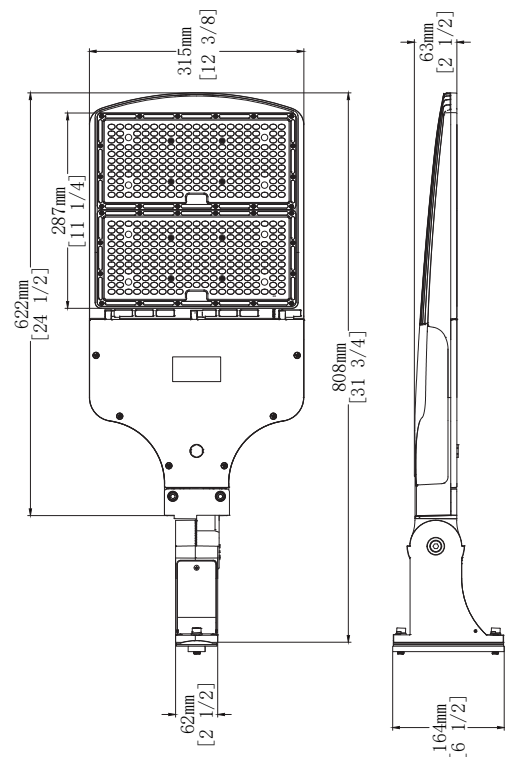
Parking lots

DIMENSION:(mm/in)

100-200W



320W



SBAL Series

TECHNICAL SPECIFICATION:

- Input Voltage: 100-277VAC
- Luminous Efficacy: up to 140lm/w
- Colour Rendering Index: 70Ra
- Power Factor: >0.9
- Operating Temperature: -30°C up to 50°C (-22°F up to 122°F)
- Color Temperature: 3000K/4000K/5000K
- Lens: Polycarbonate Body & Difuser
- Ingress Protection: IP66
- Impact Rating: IK09
- Beam Angle: Type T3: Asymmetric Wide Type III
T4: Asymmetric Forward Type IV, T5: Symmetric Medium Type V
- Housing: Die-cast aluminum body. PC cover diffuse
- Installation: SBAL-TA: Round Pole Mount , SBAL-TB: Square Pole Mount
- Environment: damp/wet locations
- Certification: ETL/CETL, DLC Premium
- Rated Life: 50.000 hours
- Warranty: 5 years

SPECIFICATIONS:

Produce Code	KLSBAL100-XXXXXXXXXX	KLSBAL150-XXXXXXXXXX	KLSBAL200-XXXXXXXXXX	KLSBAL320-XXXXXXXXXX
Power Consumption(W)	100	150	200	300
Lumens Delivered (lm)	14000	21000lm	28000lm	42000
Efficacy (lm/W)	140	140	140	140
CRI	>70	>70	>70	>70
Input Voltage	100-277VAC	100-277VAC	100-277VAC	100-277VAC
Power Factor	>0.9	>0.9	>0.9	>0.9
L 70	More than 50000hours	More than 50000hours	More than 50000hours	More than 50000hours
Housing	Die-cast aluminum body(Bronze/Black). PC diffuse	Die-cast aluminum body(Bronze/Black). PC diffuse	Die-cast aluminum body(Bronze/Black). PC diffuse	Die-cast aluminum body(Bronze/Black). PC diffuse
Installation	SBAL-TA: Round Pole Mount, SBAL-TB: Square Pole Mount			
Operating Temperature	-30°C up to 50°C (-22°F up to 122°F)	-30°C up to 50°C (-22°F up to 122°F)	-30°C up to 50°C (-22°F up to 122°F)	-30°C up to 50°C (-22°F up to 122°F)
Certification	ETL/cETL,DLC Premium	ETL/cETL,DLC Premium	ETL/cETL,DLC Premium	ETL/cETL,DLC Premium

Models

For example(KLSBAL150-T350KTASOP)

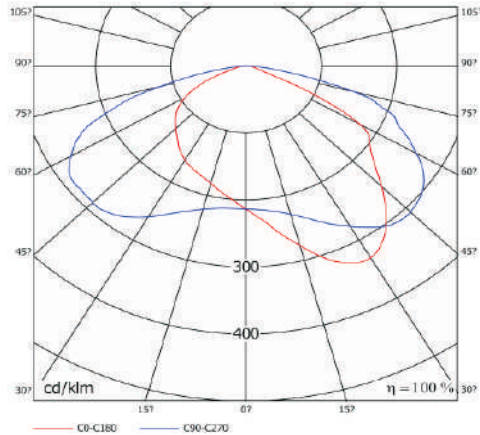
Family	Wattage	Separator	Photometric	CCT	Mount	Sensor	Surge protector
KLSBAL: KILI-LED 100-277VAC Area lighting	100:100W 150:150W 200: 200W 320: 320W	-	T3: Asymmetric Wide Type III T4: Asymmetric Forward Type IV T5: Symmetric Medium Type V	30K:3000K 40K:4000K 50K:5000K	TA: Round Pole Mount TB: Square pole Mount	S0: without sensor (standard)	P:10KA S:6KV

SBAL Series

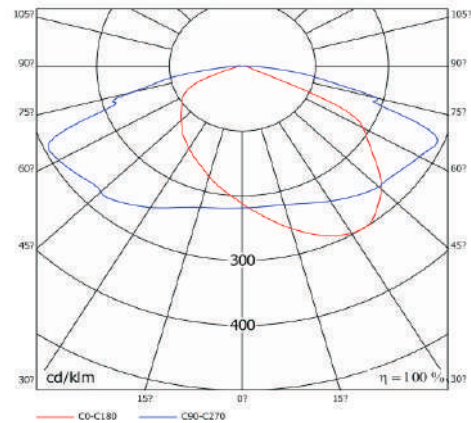
LUMINAIRE PHOTOMETRIC

Luminous Intensity Distribution Diagram:

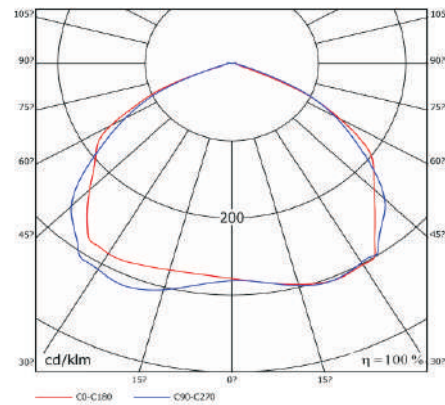
T3 : Asymmetric Wide Type III



T4 : Asymmetric Forward Type IV



T5 : Symmetric Medium Type V



PACKAGING

Model No.	Qty (pcs)	L*W*H (CM)	NW. (kgs)	G.W. (kgs)	Meas. (CBM)
			Per CTN	Per CTN	Per CTN
SBAL100/SBAL150 SBAL200-TA	1	55*37.5*14cm	4.6	5.6	0.0289
SBAL100/SBAL150 SBAL200-TB	1	55*37.5*14cm	5.1	6.1	0.0289
SBAL320-TA	1	72.5*37.5*14cm	6.5	7.7	0.038
SBAL320-TB	1	72.5*37.5*14cm	7	8.2	0.038